



## SS10 Hot Melt Unit

*Innovative Dispensing Technology*

The SS10 melt unit is the industry's best small melt unit and designed with a constant speed direct drive motor/pump combination, and an adjustable output control. This motor/pump drive train is industry proven and offers years of maintenance free performance. Capable of 2 hose/gun connectors for automatic or hand held applications, the SS10 is a powerful hot melt unit that provides solutions to a wide variety of adhesive applications.

### Accuracy

Equipped with a LCD temperature TC500 controller, the SS10 uses platinum RTD sensors for complete control of all temperature zones.



### Longevity

The cylindrical, Teflon lined tank design maximizes shelf life and adhesive performance.



### Flexibility

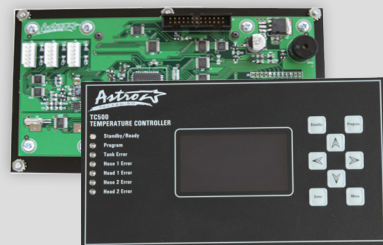
The SS10 supports up to (2) hoses & guns; pneumatic, electric, or manual, for bead and/or swirl spray patterns.



The SS10 hot melt unit is equipped with the industry favorite TC500 and offers more for less!

- All temperature zones displayed on one screen.
- 7-day scheduler to automatically turn the machine one and off once per day.
- Temperature protection for all zones and will shut diwn main circuit breaker if any zone is over temperature.
- Diagnostic features that alert operator to any changes in performance or saftey conditions.
- All temperature zones range from 40°F - 450°F.

TC500 Controller



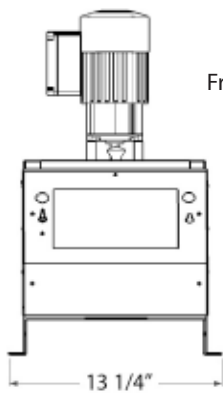
**SS10 Technical Data**

System	SS10 (120V)	SS10 (240V)
Tank Capacity	10 lbs.	
Melt Rate	10 lbs/hr	
Pump Rate	64 lbs/hr	
Temperature Range	40°F - 450°F	
Ambient Temperature Range	20°F - 122°F	
Temperature Control Stability	± 1°F	
Hose/Applicator Capacity	2	
Maximum Melter Power	1,800 watts	3,600 watts
Electrical Service	120VAC 50/60Hz 15A	240VAC 50/60Hz 20A
Viscosity (Maximum CPS)	25,000	
Weight (empty)	60 lbs	
Dimensions W x H x D in.	13.1 x 21.5 x 18	
Mounting in.	14.9 x 12.1	
Approvals & Certifications	CE	

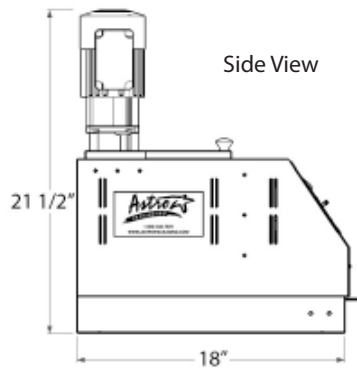
\* Melt Rates vary based on adhesive type

**The Astro Advantage**

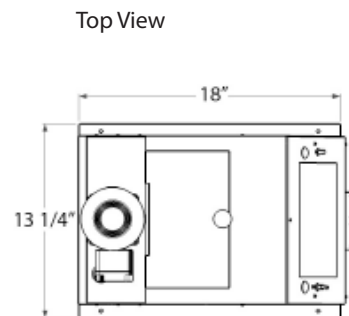
For over 40 years, Astro Packaging has led the industry with unmatched service, support, and capabilities. We proudly manufacture reliable and durable equipment designed for high-performance applications. Our factory trained technicians offer 24-hour support in both English and Spanish. Call or visit us online to see our full line of melt units, industrial adhesives, and custom configured systems!



Front View



Side View



Top View